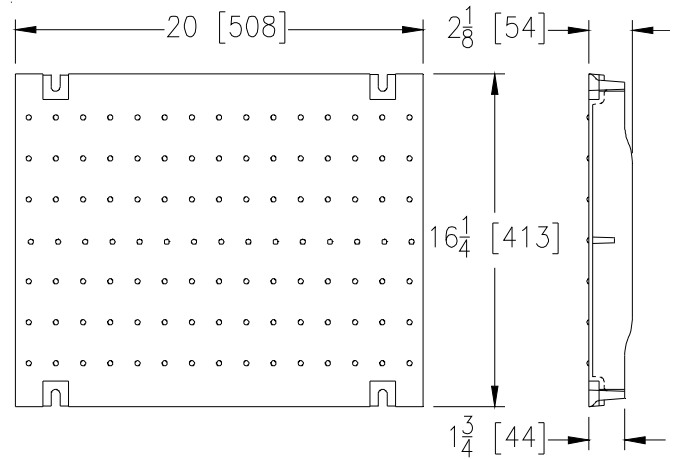
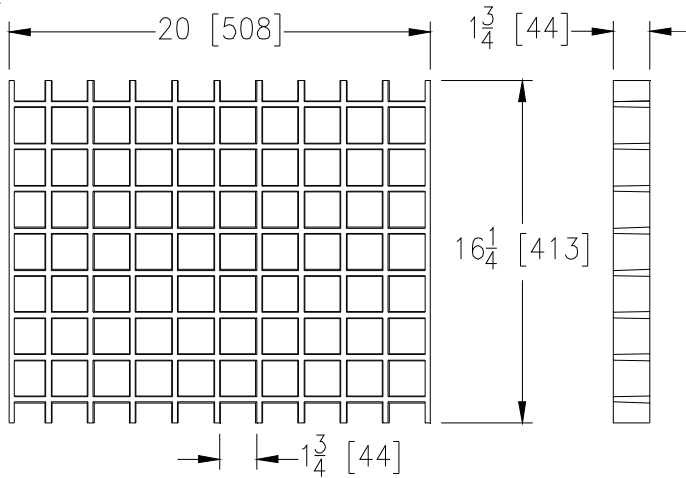




Z874-12

12" WIDE THROAT GRATES

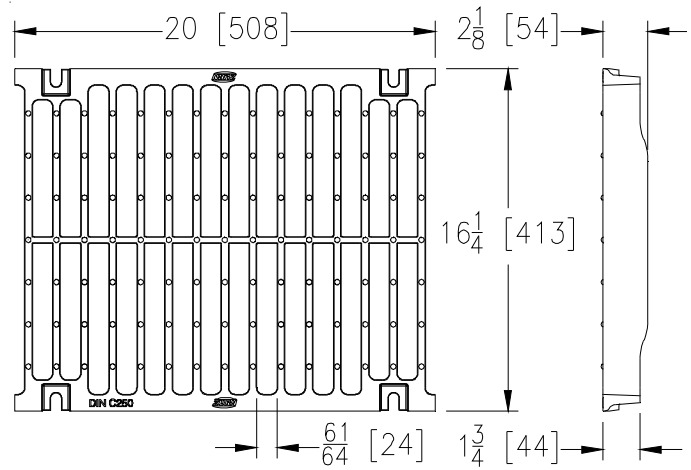
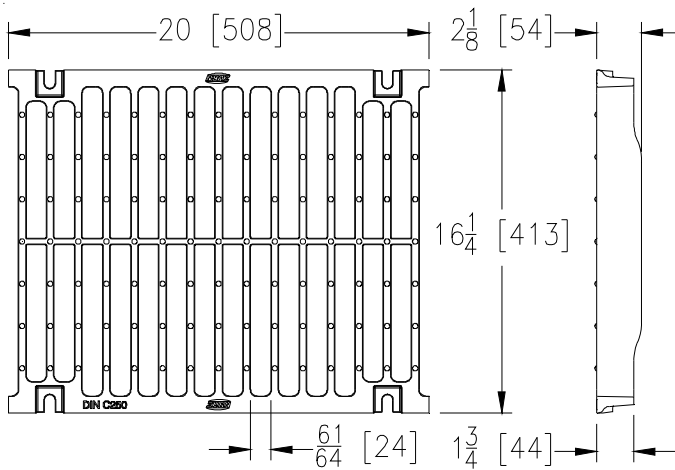


Please Check	Item No.
✓	1

GG-Fiberglass		
Material: Fiberglass		
DIN Rating: Class A		
Weight: 6.00 # per ft.		
Open Area: 147 sq. in. per ft.		
ANSI Rating: Light-Duty		
Application: Chemical Resistance & Pneumatic		
Slot Width/Hole Size: 1.75"		
ADA	H-20	FAA
No	No	No

Please Check	Item No.
✓	2

DCC-Ductile Iron Solid Cover		
Material: Ductile Iron		
DIN Rating: Class C		
Weight: 29.00 # per ft.		
Open Area: N/A		
ANSI Rating: Heavy-Duty		
Application: Heavy Vehicle, Truck & Conduit		
Slot Width/Hole Size: N/A		
ADA	H-20	FAA
Yes	Yes	No



Please Check	Item No.
✓	3

DGC-Ductile Iron Slotted		
Material: Ductile Iron		
DIN Rating: Class C		
Weight: 29.00 # per ft.		
Open Area: 118 sq. in. per ft.		
ANSI Rating: Heavy-Duty		
Application: Heavy Vehicle & Truck		
Slot Width/Hole Size: .95"		
ADA	H-20	FAA
No	Yes	No

Please Check	Item No.
✓	4

GDC-Galvanized Ductil Iron		
Material: Ductile Iron		
DIN Rating: Class C		
Weight: 29.00 # per ft.		
Open Area: 118 sq. in. per ft.		
ANSI Rating: Heavy-Duty		
Application: Heavy Vehicle & Truck		
Slot Width/Hole Size: .95"		
ADA	H-20	FAA
No	Yes	No